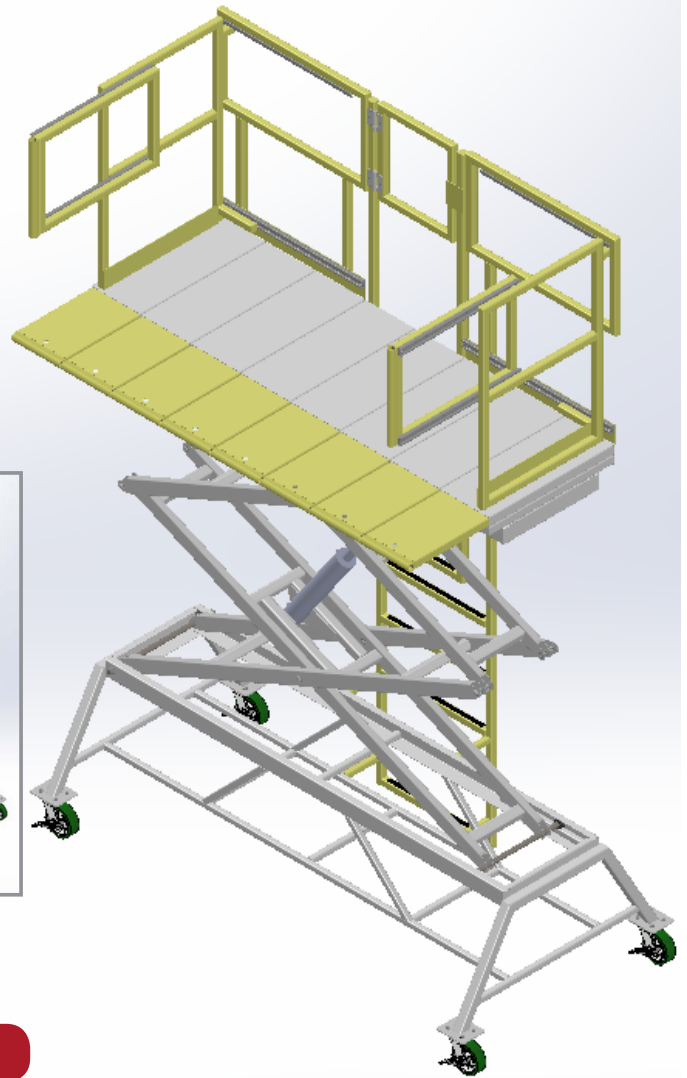




# Engine Maintenance Stands

## EMS-9H EMS-12H



### Features

Engine Maintenance Stands (EMS) are specifically tailored to allow technicians to easily and securely perform engine maintenance functions. Our specialized equipment increases productivity and safety in the workplace. All hanger models come equipped with a tow-bar.

SPECIFICATIONS	EMS-9H	EMS-12H
Platform Minimum Height	54" (137 cm)	54" (137 cm)
Platform Maximum Height	108" (274 m)	144" (366 m)
Platform Dimensions	L: 96" (244 cm) W: 30" (76 cm)	L: 96" (244 cm) W: 30" (76 cm)
Requires Compressed Air/Nitrogen	110-175 psi	110-175 psi
Handrail Height Collapsed	27" (69 cm)	27" (69 cm)
Handrail Height Raised	42" (107 cm)	42" (107 cm)
Weight Lbs (kg)	1500 lbs (680 kg)	1800 lbs (816 kg)

*Each stand can be customized with lighting, air, and power options to meet specific needs.*

Place your order now:

**(502) 368-3008**

[info@SpecializedAircraftSolutions.com](mailto:info@SpecializedAircraftSolutions.com)

[www.SpecializedAircraftSolutions.com](http://www.SpecializedAircraftSolutions.com)